

Specification sheet LX 1391

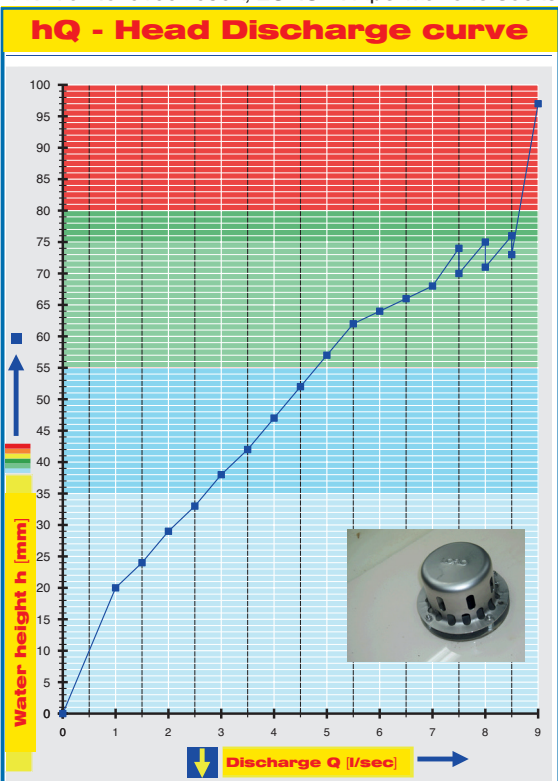
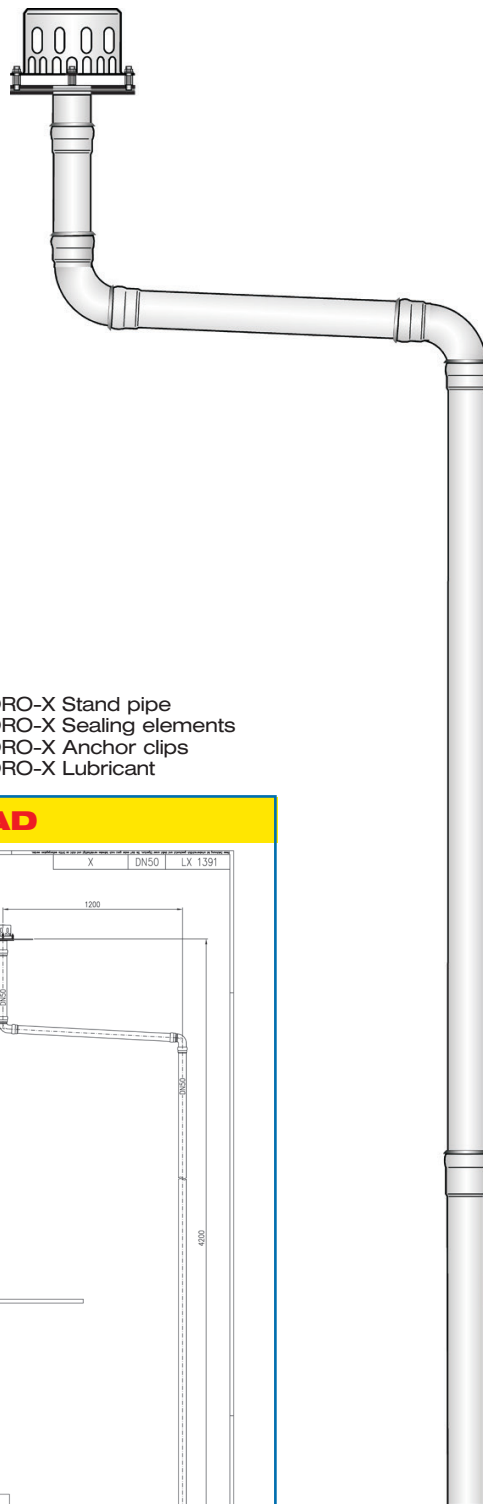
Roof drainage systems LORO-DRAINLET® Mini DN 50 for Box gutter with 150 mm

Main drainage	
Gravity flow	
Silent Power	
Discharge rate:	2,7 l/sec
Water height:	35 mm
Roof penetration:	-
Diameter:	DN 50
LX-Number:	LX 1391
Weir height:	0 mm
Drain:	ventilated
Downpipe:	not ventilated
Downpipe height:	4,2 m
Drainage:	in sewer
Flangeform:	clamping flange

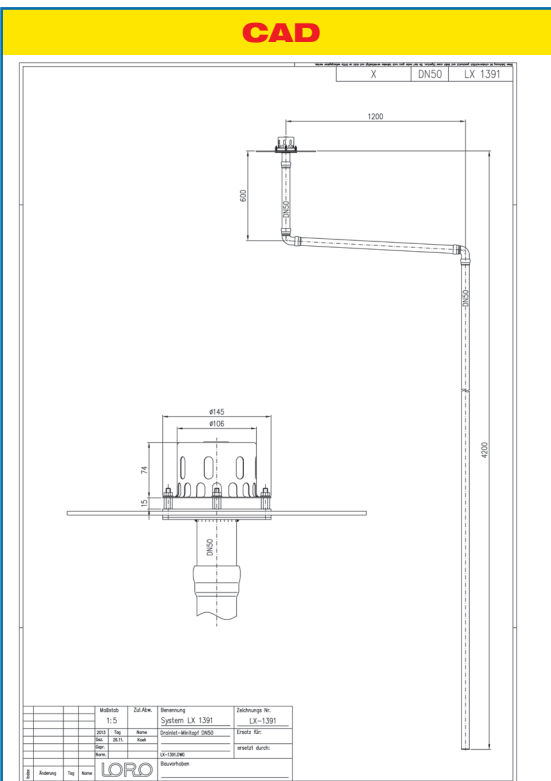
LX 1391 Piece list

- 1 x Art.-No. 21118.050X, DRAINLET® Mini DN 50
- 2 x Art.-No. 00350.050X, LORO-X Bend
- 1 x Art.-No. 01401.050X, LORO-X Pipe with one socket
- 1 x Art.-No. 01201.050X, LORO-X Pipe with one socket
- 1 x Art.-No. 01004.050X, LORO-X Pipe with one socket

- 1 x Art.-No. 05510.050X, LORO-X Stand pipe
- 3 x Art.-No. 00911.050X, LORO-X Sealing elements
- 1 x Art.-No. 00806.050X, LORO-X Anchor clips
- 1 x Art.-No. 00986.000X, LORO-X Lubricant



Systempower



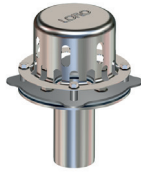
Systemshape

Water height	mm	5	10	15	20	25	30	35	40	45	50	55	60	65	70	75
Discharge	l/sec				1,0	1,6	2,1	2,7	3,2	3,8	4,3	4,8	5,3	6,2	7,1	8,0
		Silent						Silent Power								

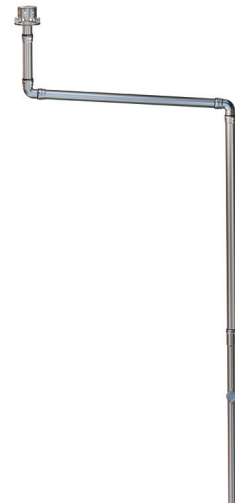
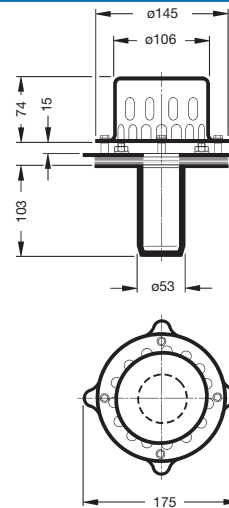
LORO-DRAINLET® Mini, DN 50

LORO-X DRAINLET® Mini
with clamping flange for
Box gutter

Drain: Art.-No. 21118.050X



LX1391-5X



Single-part
LORO-X Bend with short radius,
made of hot-dip galvanised steel, DN 50
Art.-No. 00350.050X
Weight: 0,4 kg



Single-part
LORO-X standpipe
with cleaning opening
made of hot-dip galvanised steel, DN 50
1000 mm long Art.-No. 05510.100X
Weight: 2,2 kg



Single-part
LORO-X Pipe with one socket
made of hot-dip galvanised steel, DN 50

250 mm long Art.-No. 01401.050X
1000 mm long Art.-No. 01201.050X
2500 mm long Art.-No. 01004.050X

Single-part
LORO-X Anchor clip,
made of hot-dip galvanised steel, DN 50
Art.-No. 00806.050X
Weight: 0,3 kg



Single-part
LORO-X Sealing element
Art.-No. 00911.050X
Weight: 0,6 kg

